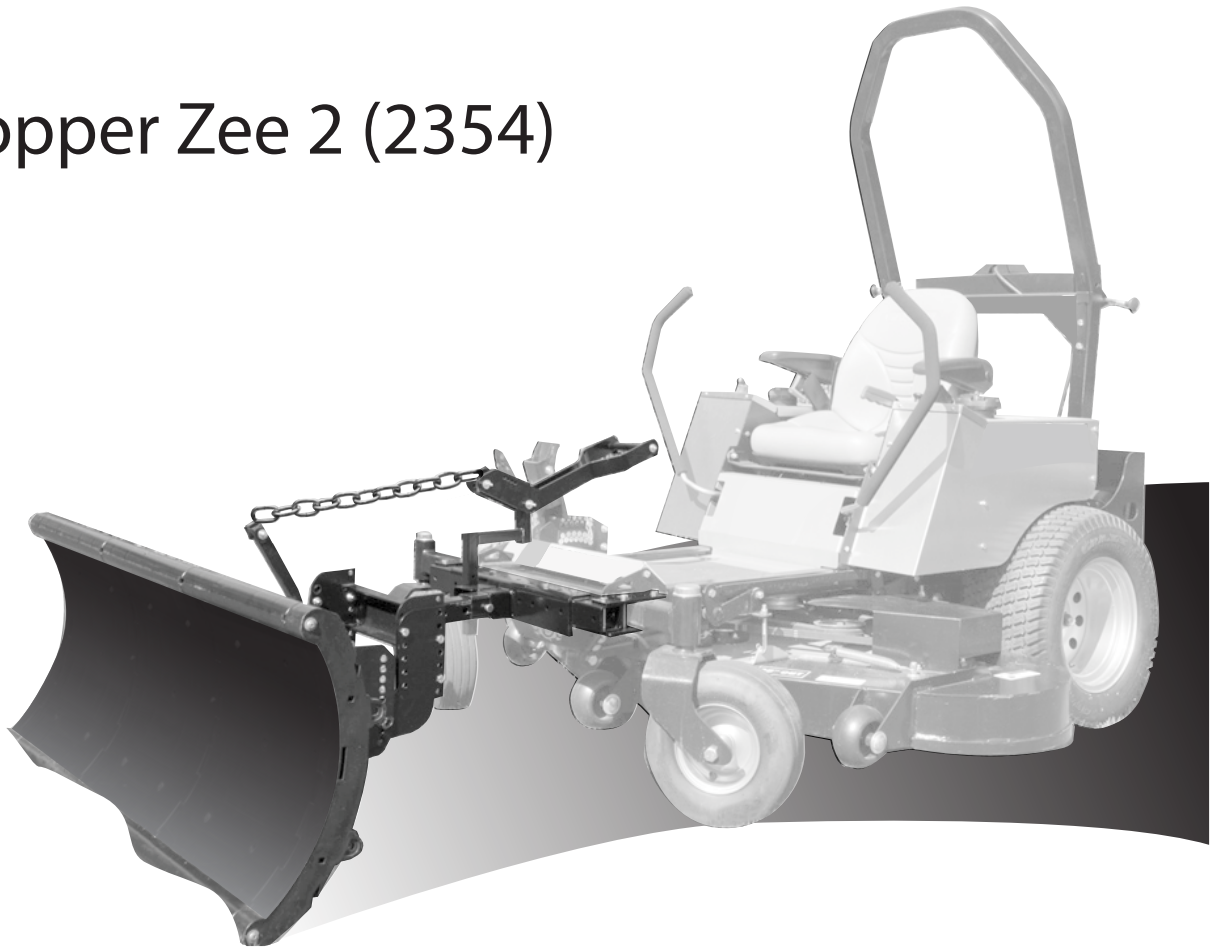




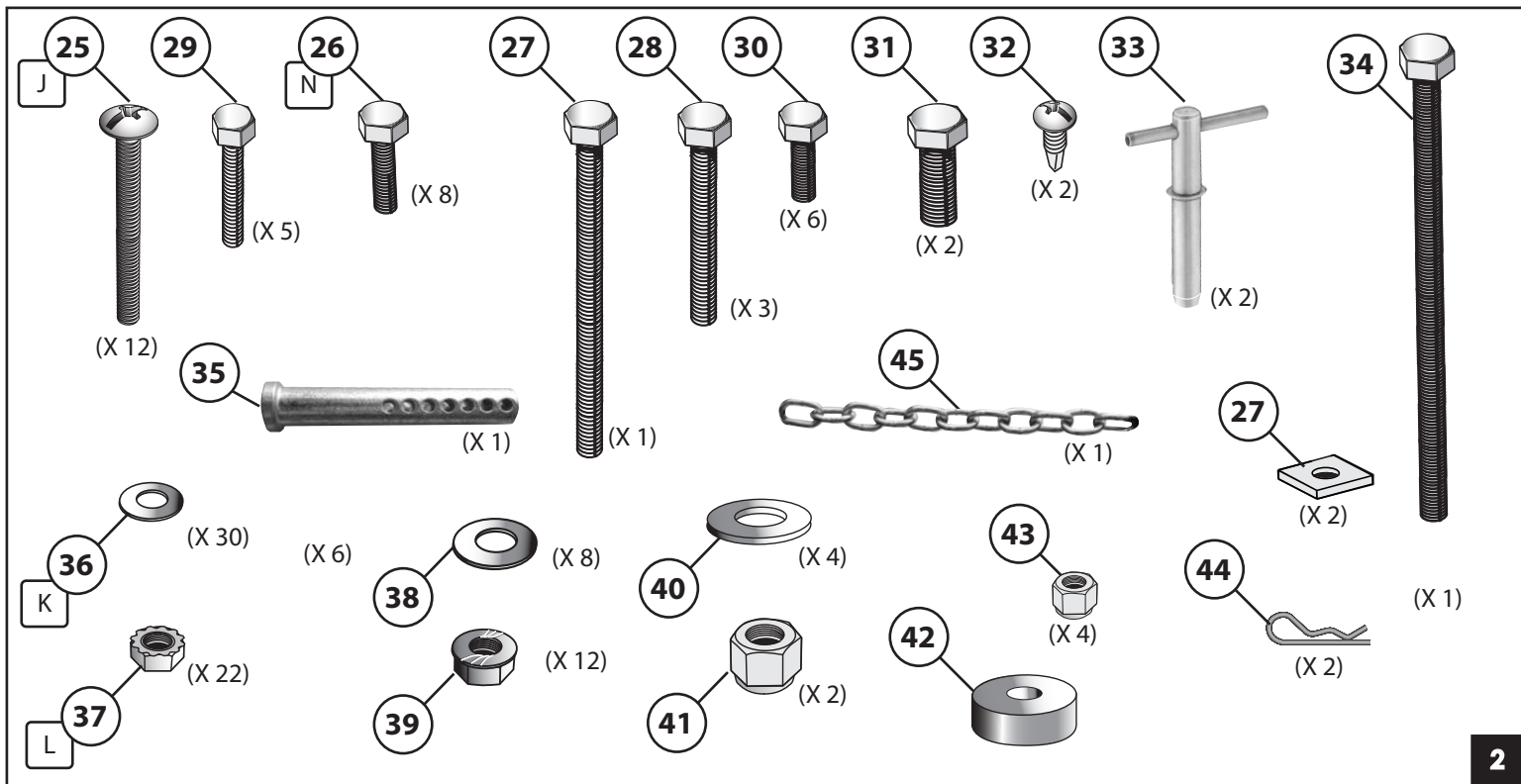
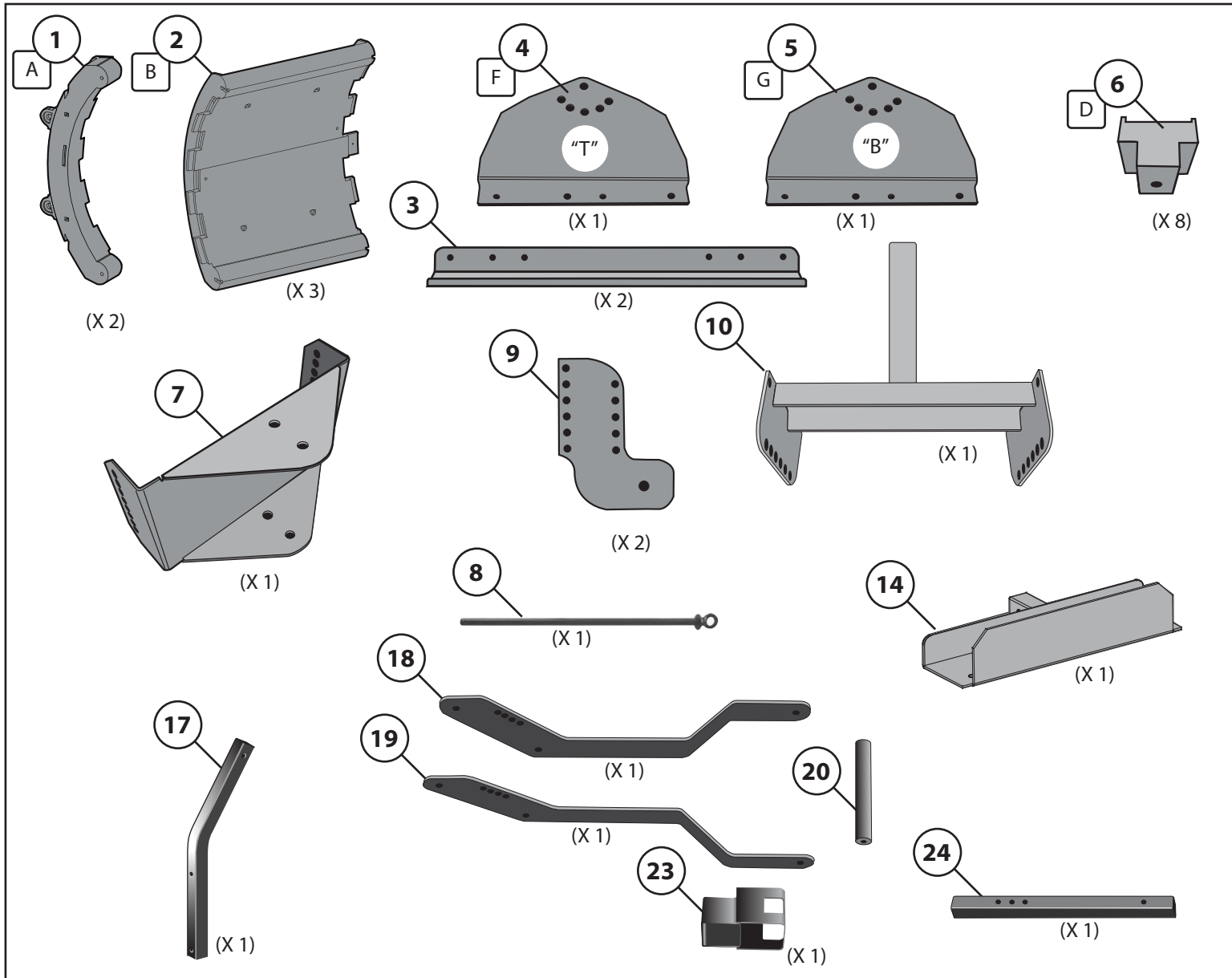
# Nordic

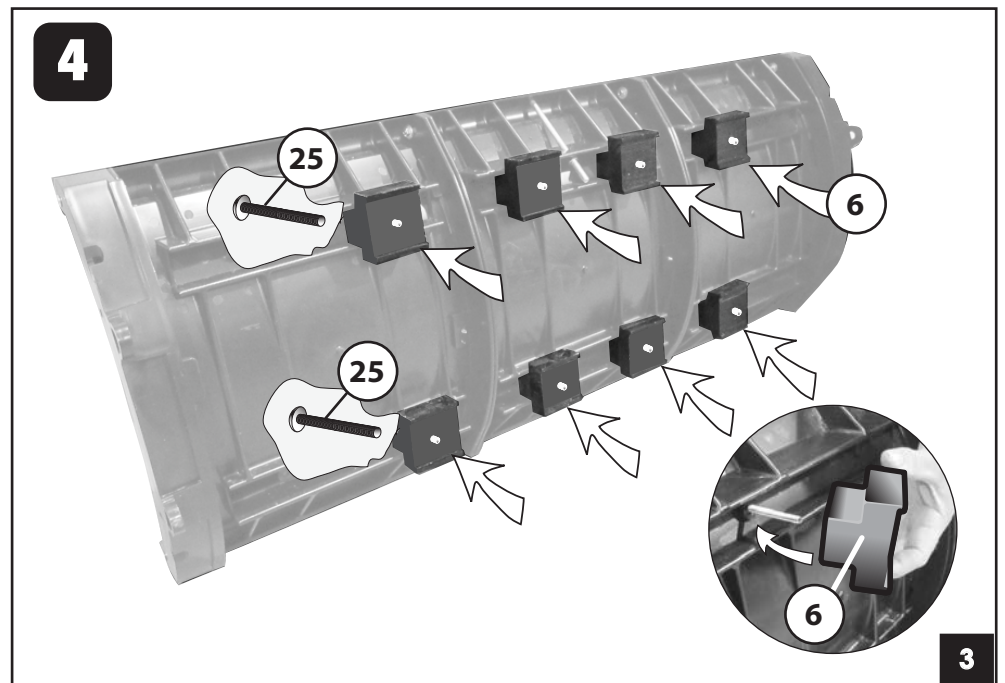
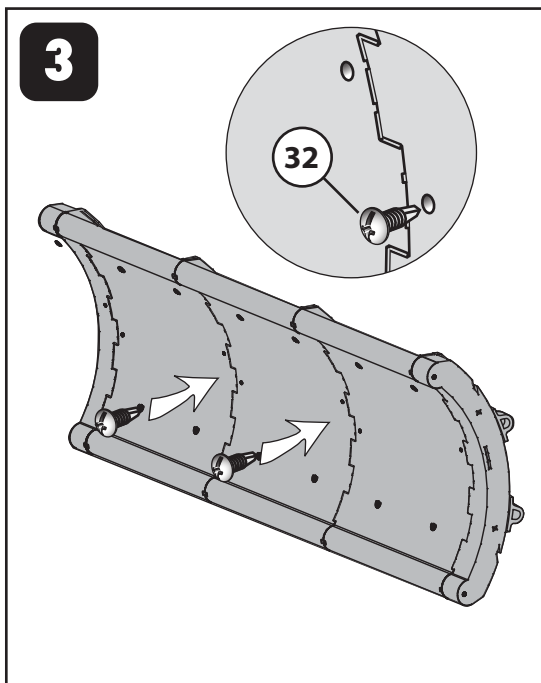
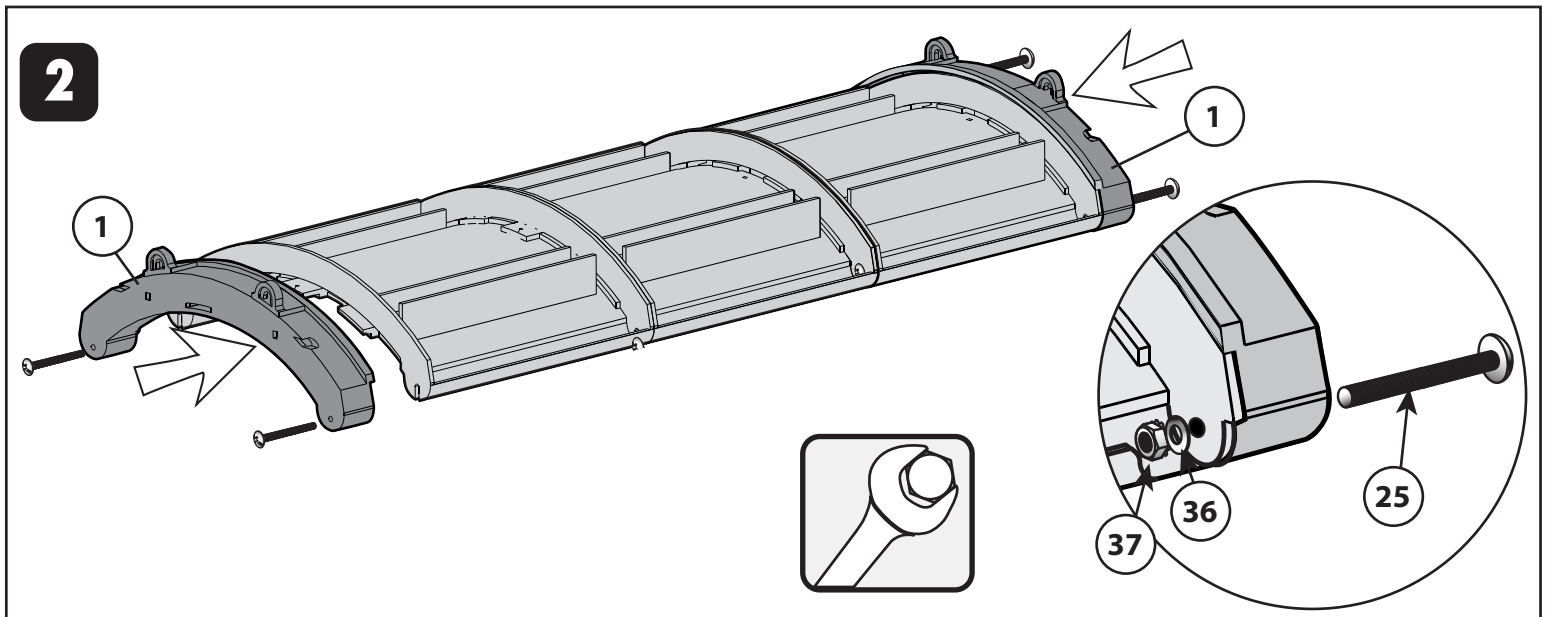
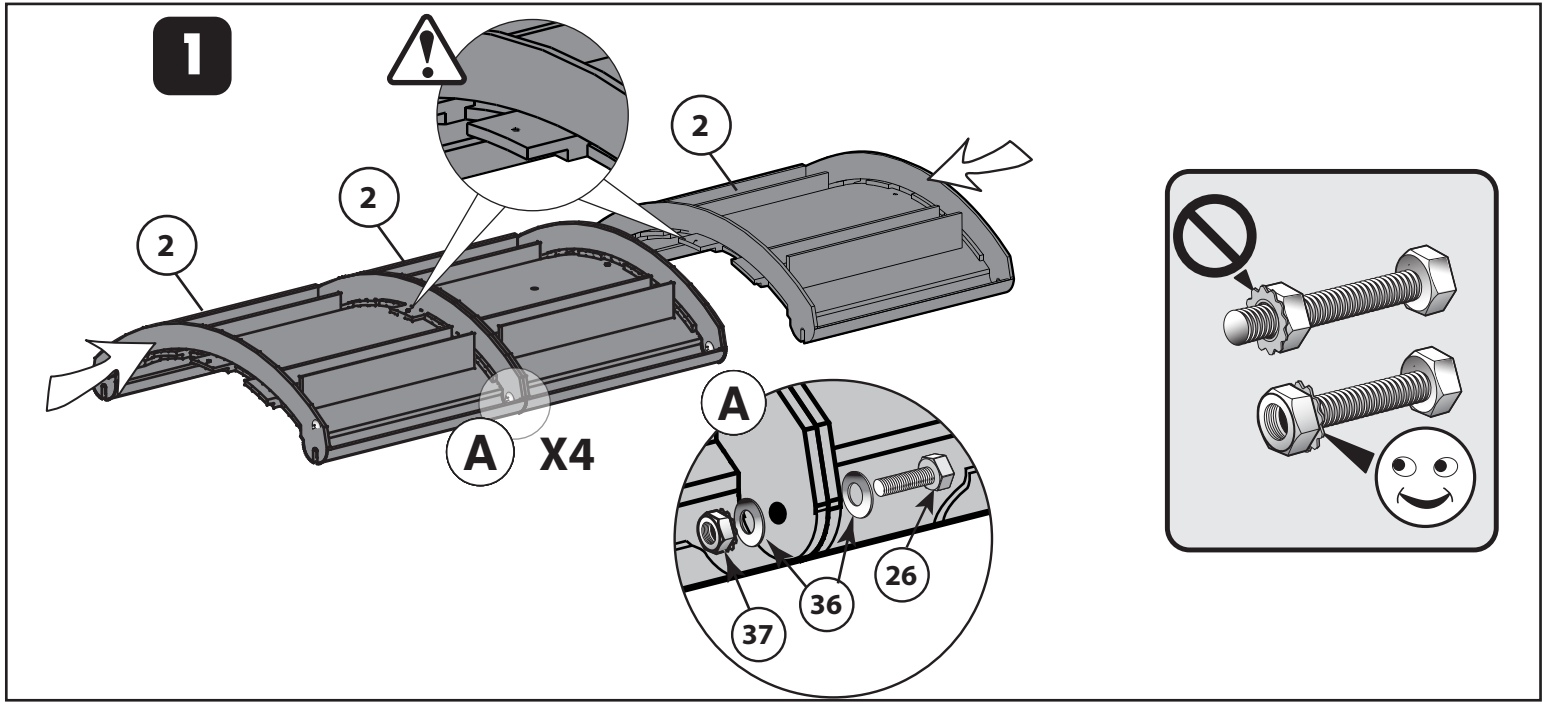
## Dixie Chopper Zee 2 (2354)



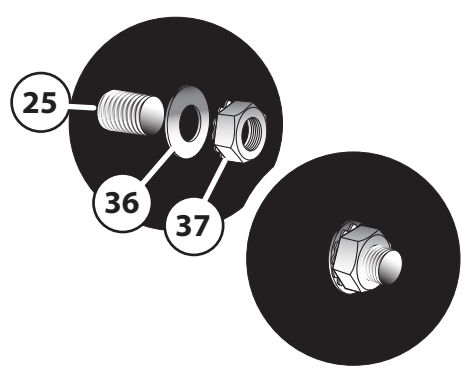
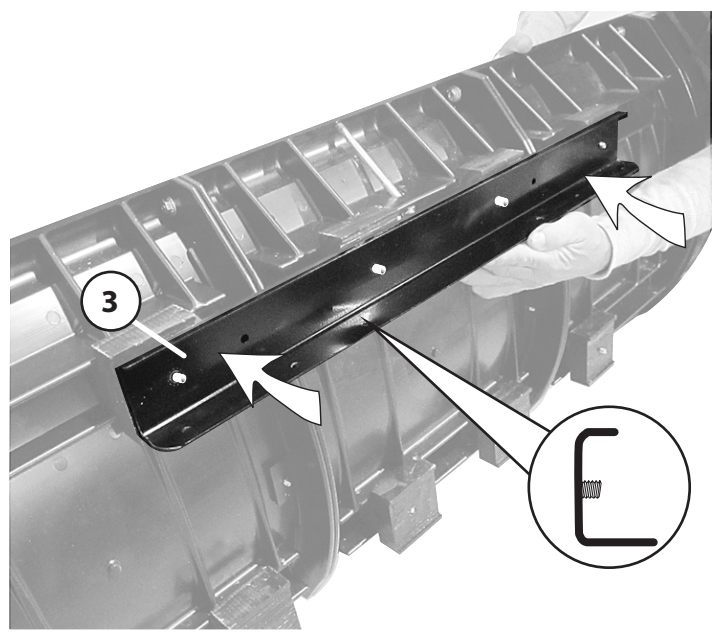
..... 3	DANSK.....18
ENGLISH.....11	NORSK.....19
FRANCAIS.....12	SVENSKA.....20
ITALINO..... 13	POLSKI.....21
NEDERLANDS..... 14	CESTINA.....22
ESPAÑOL.....15	MAGYAR.....23
PORTUGUES.....16	XXXXXX.....24
XXXXXX..... 17	XXXXXXXX.....25

**For Customer Service Call: 888-662-PLOW (7569)**

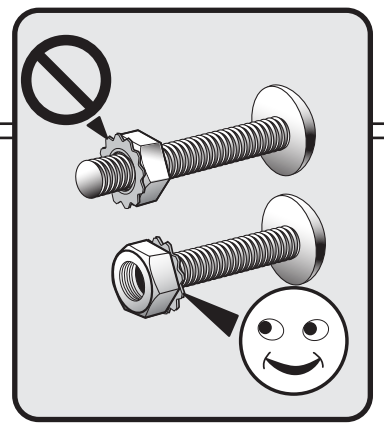
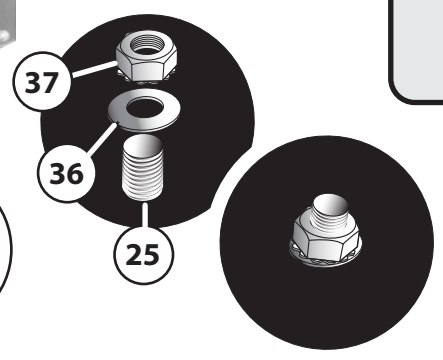
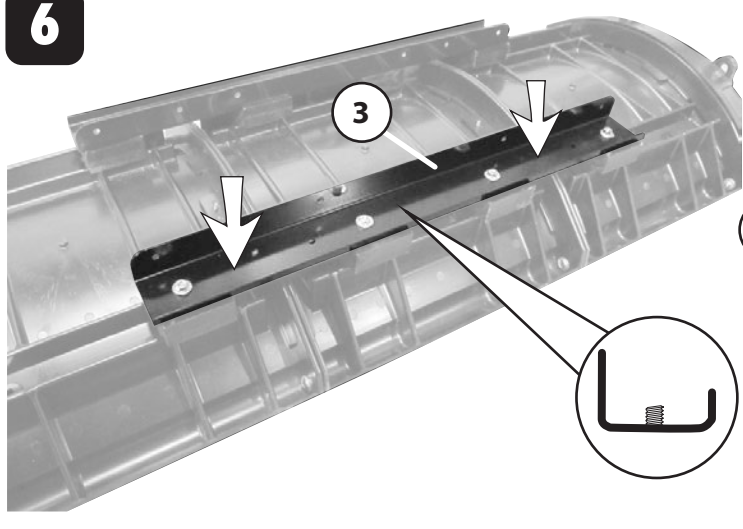




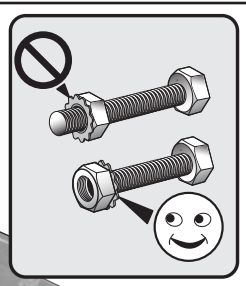
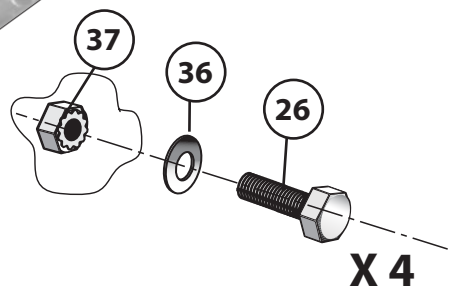
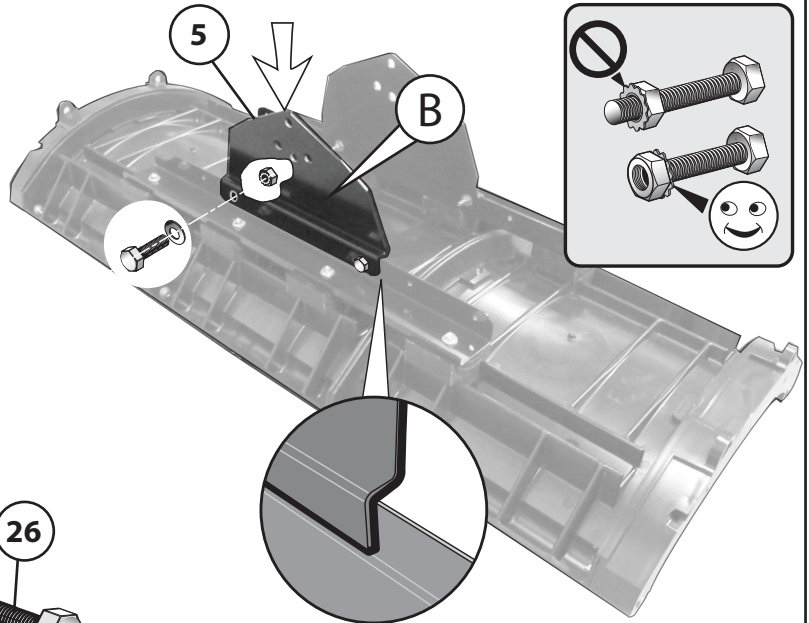
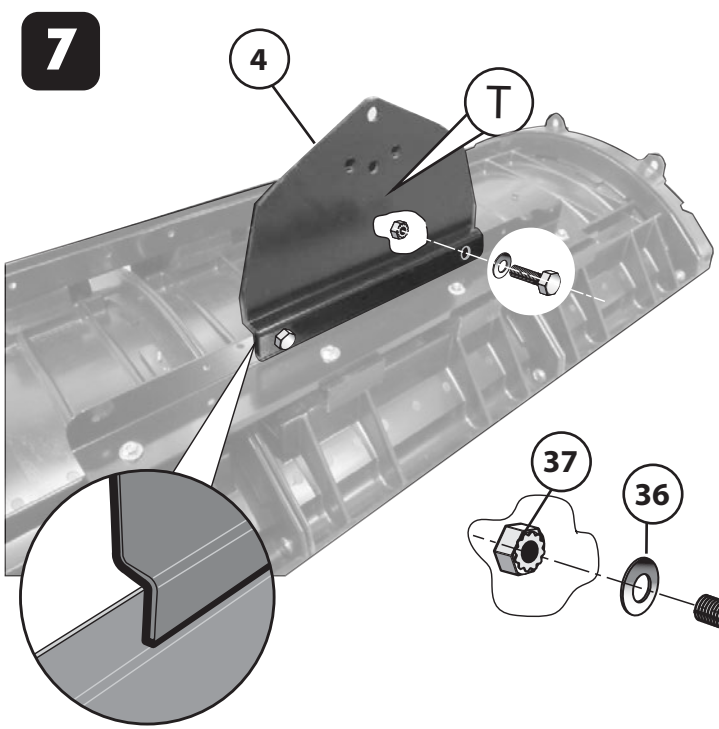
5



6

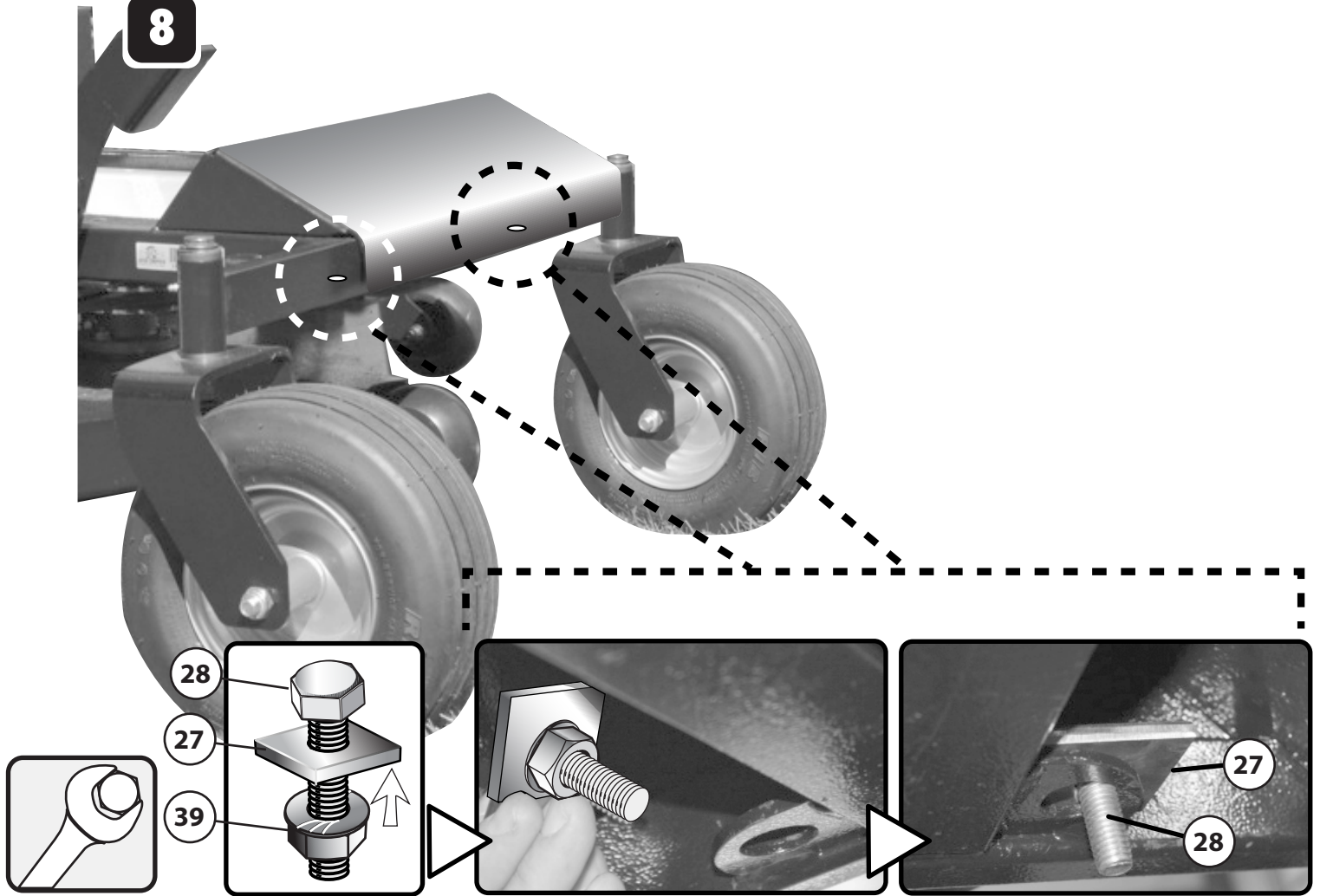


7

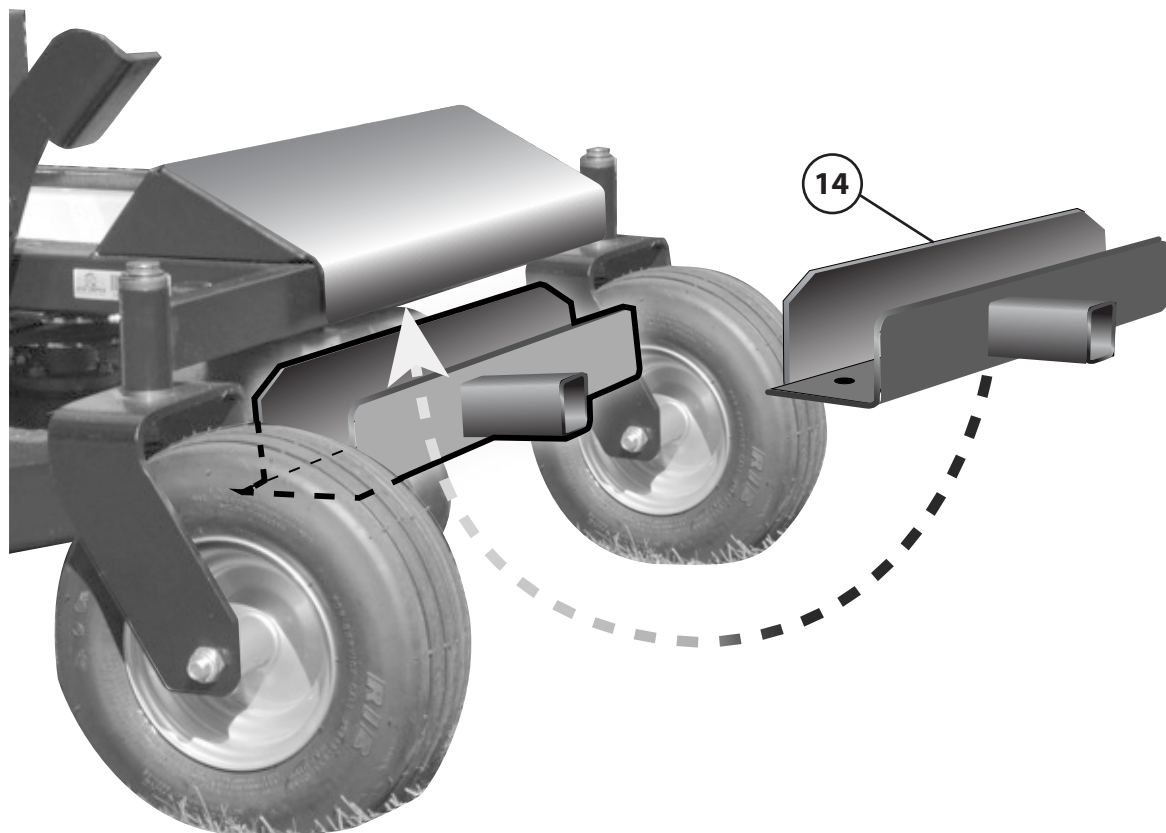




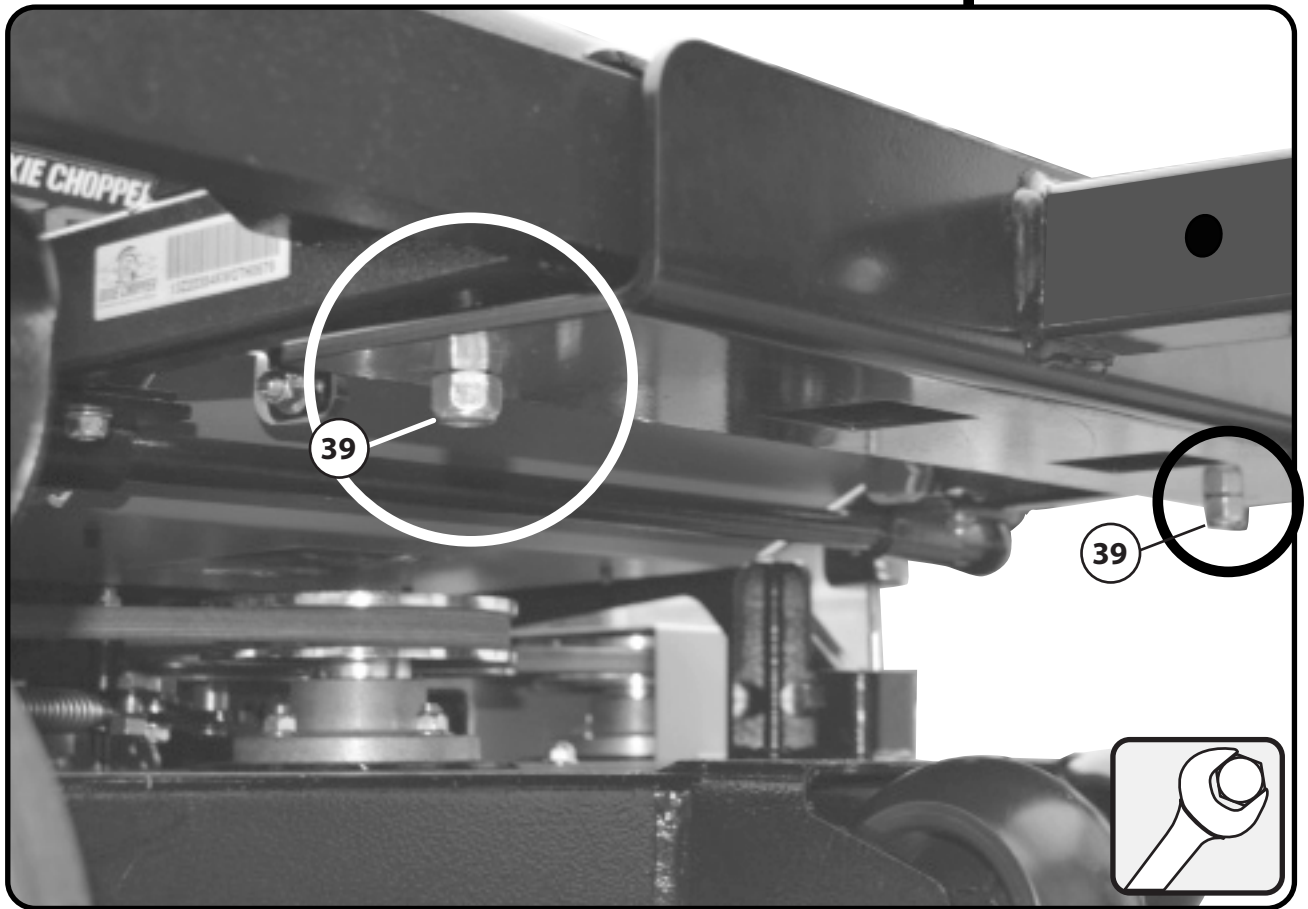
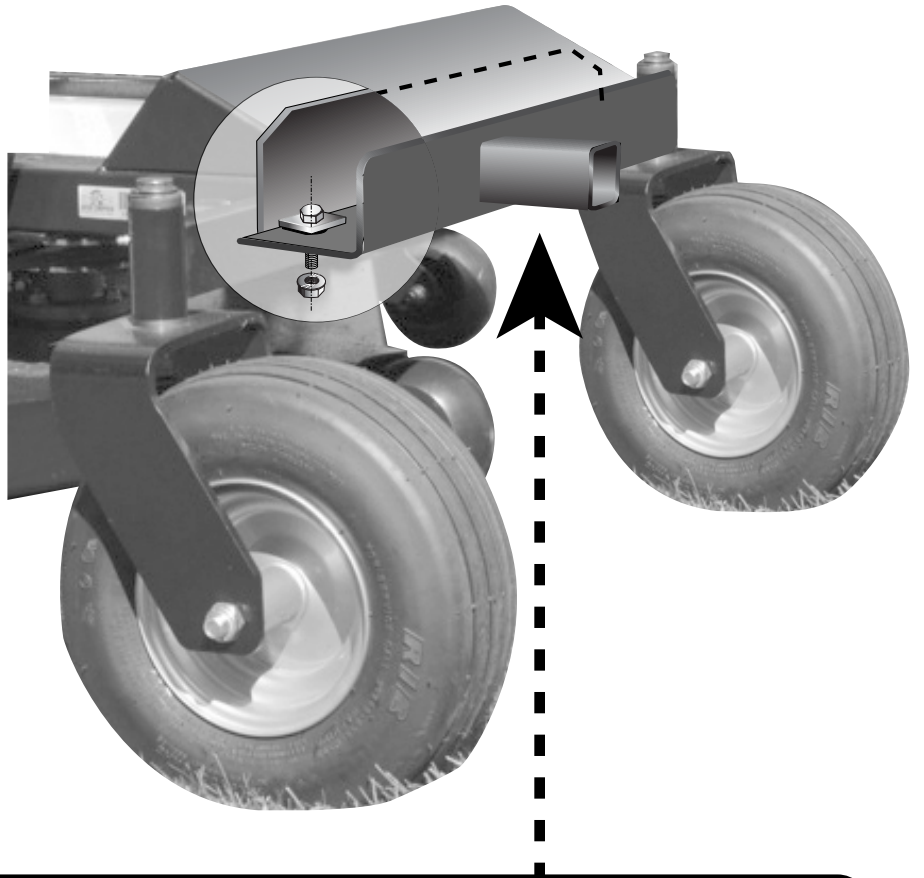
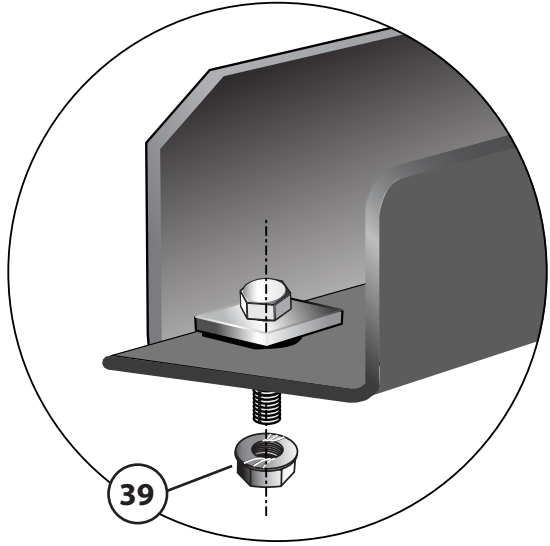
8



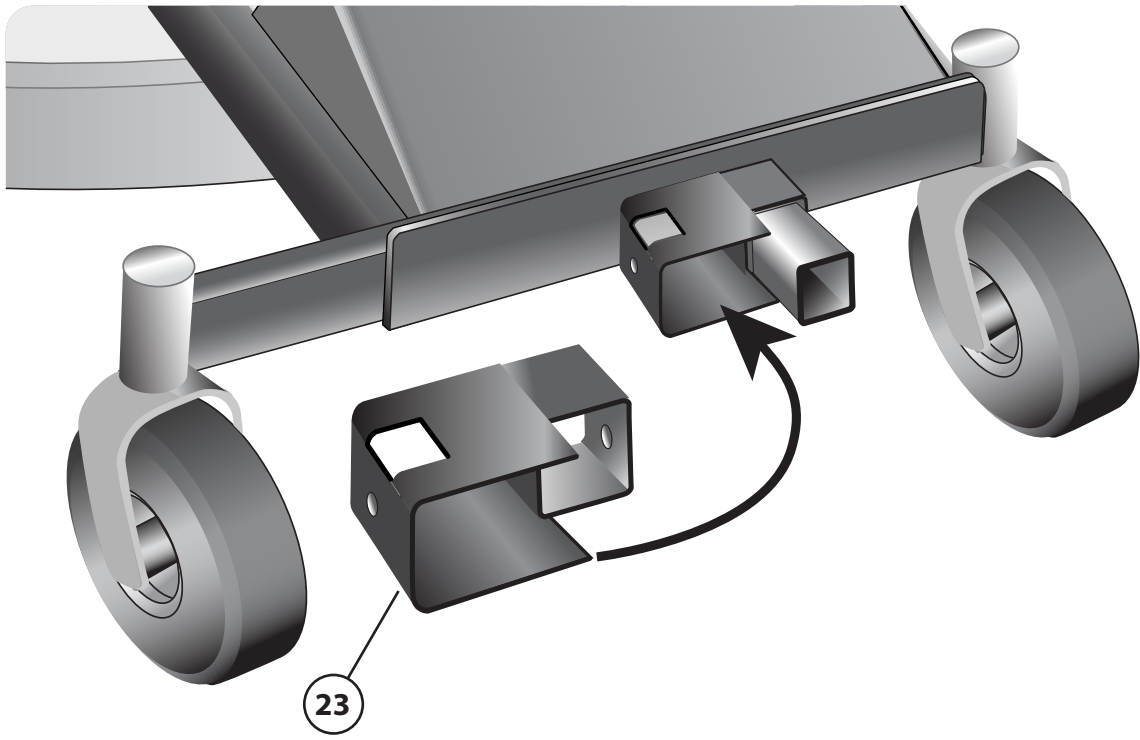
9



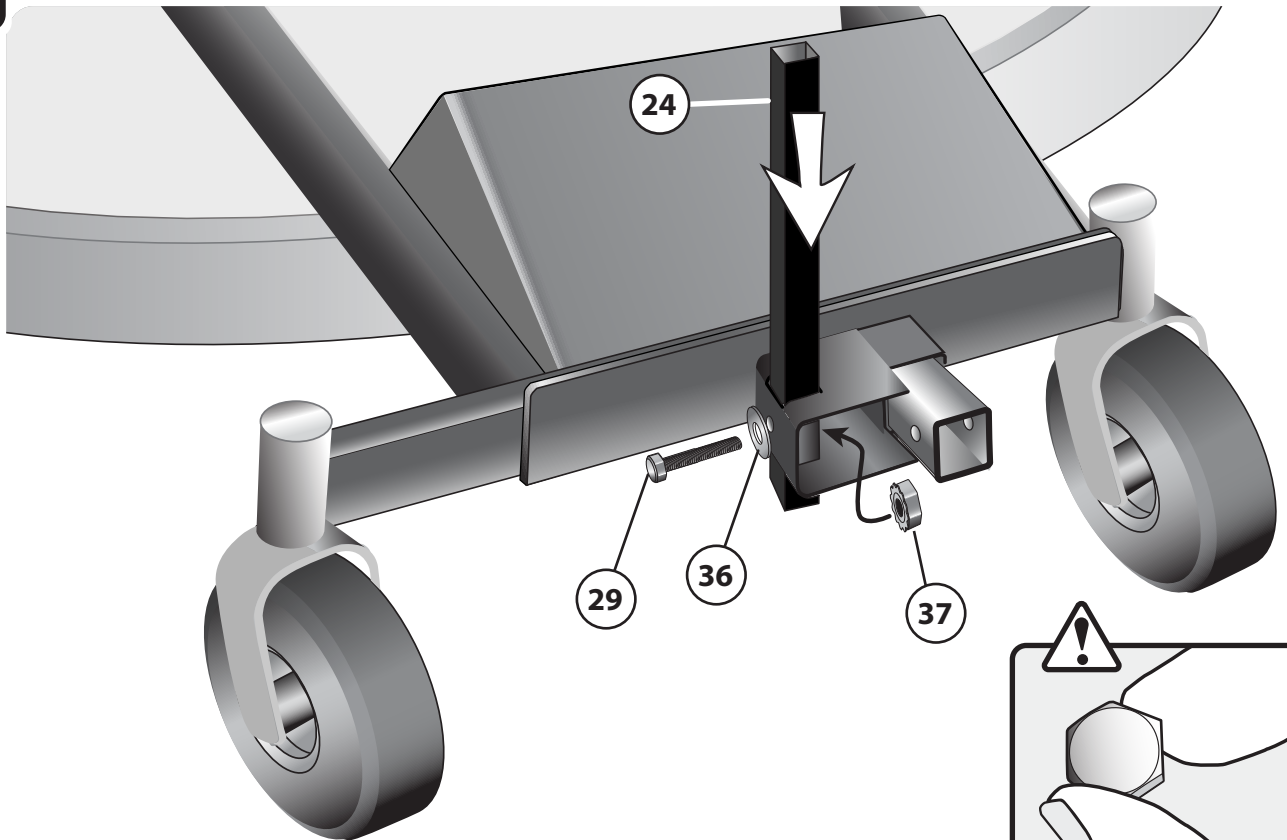
10



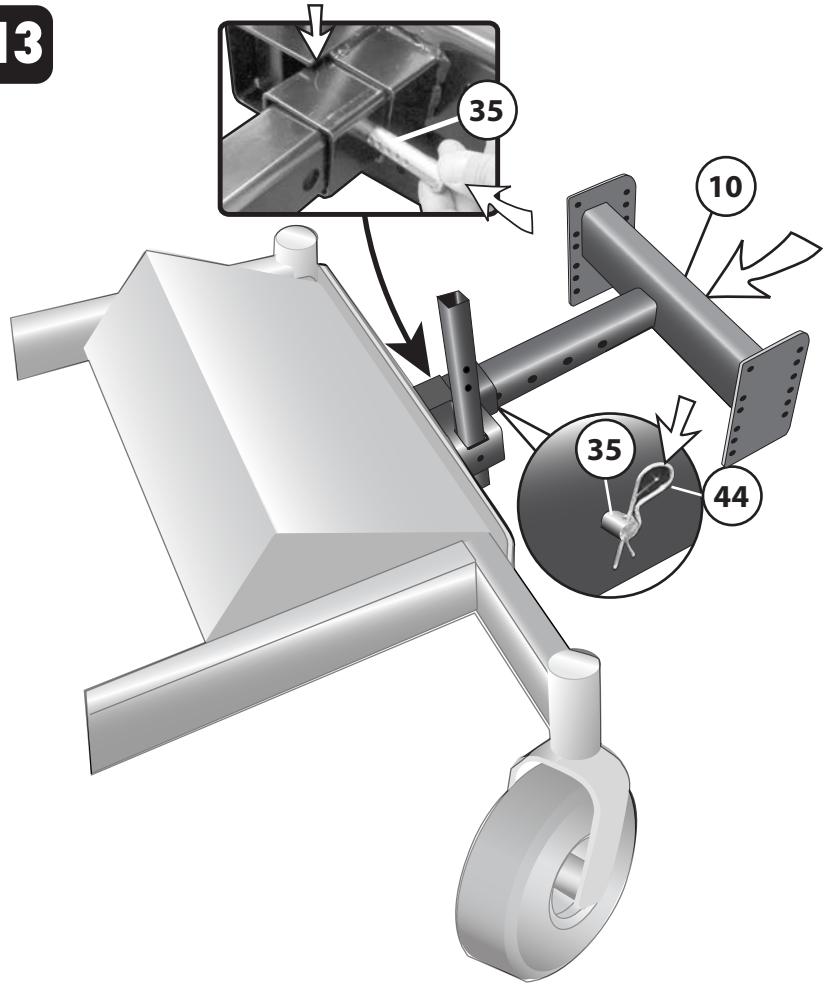
11



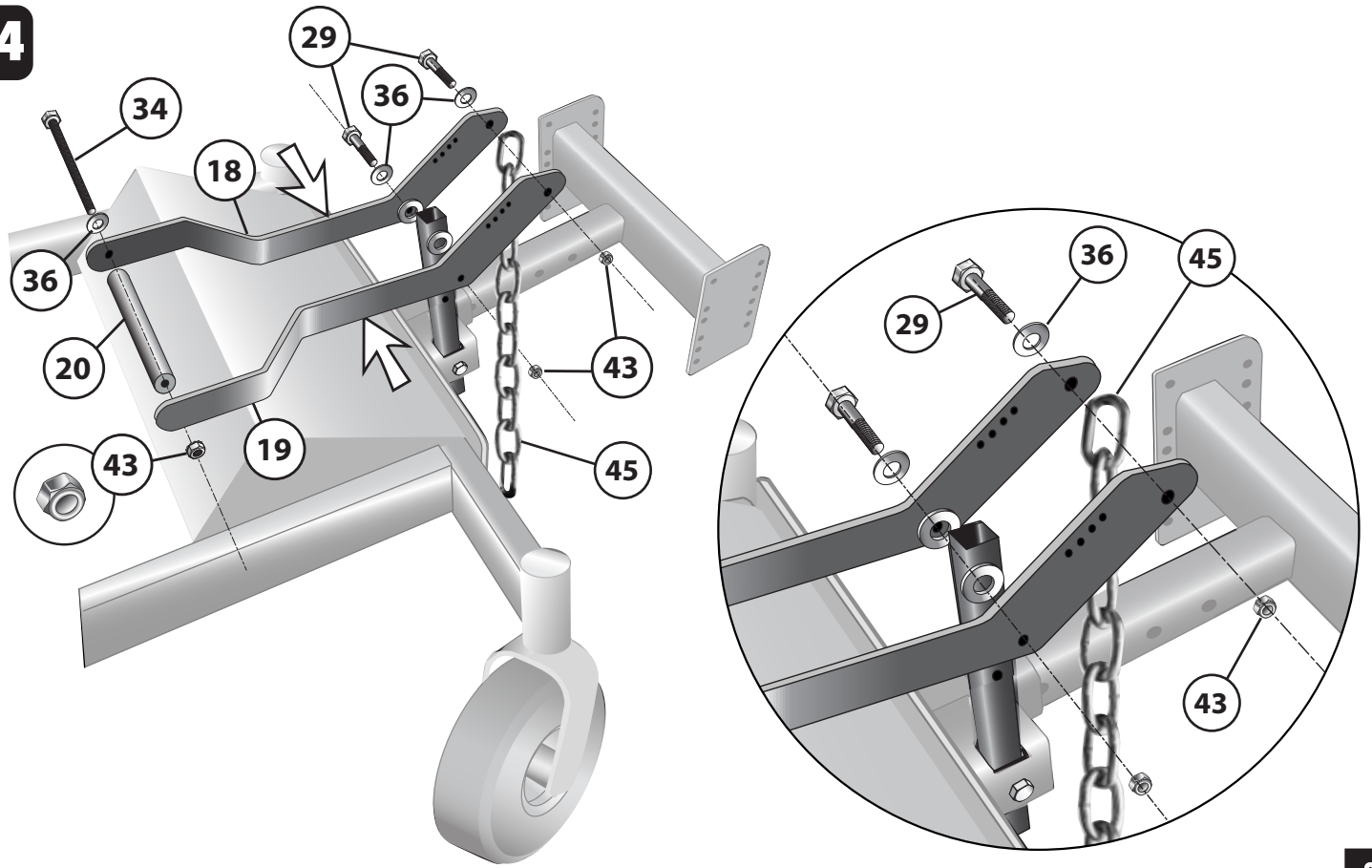
12



13

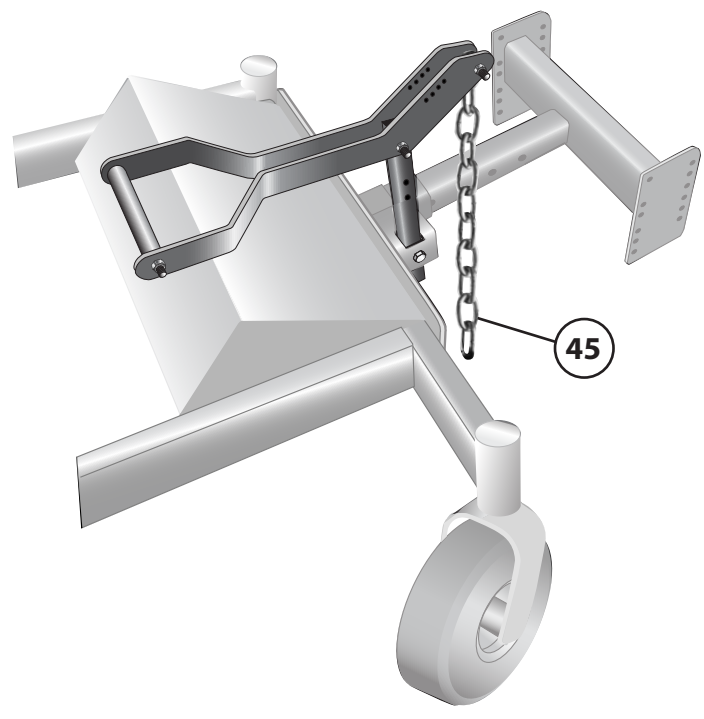


14

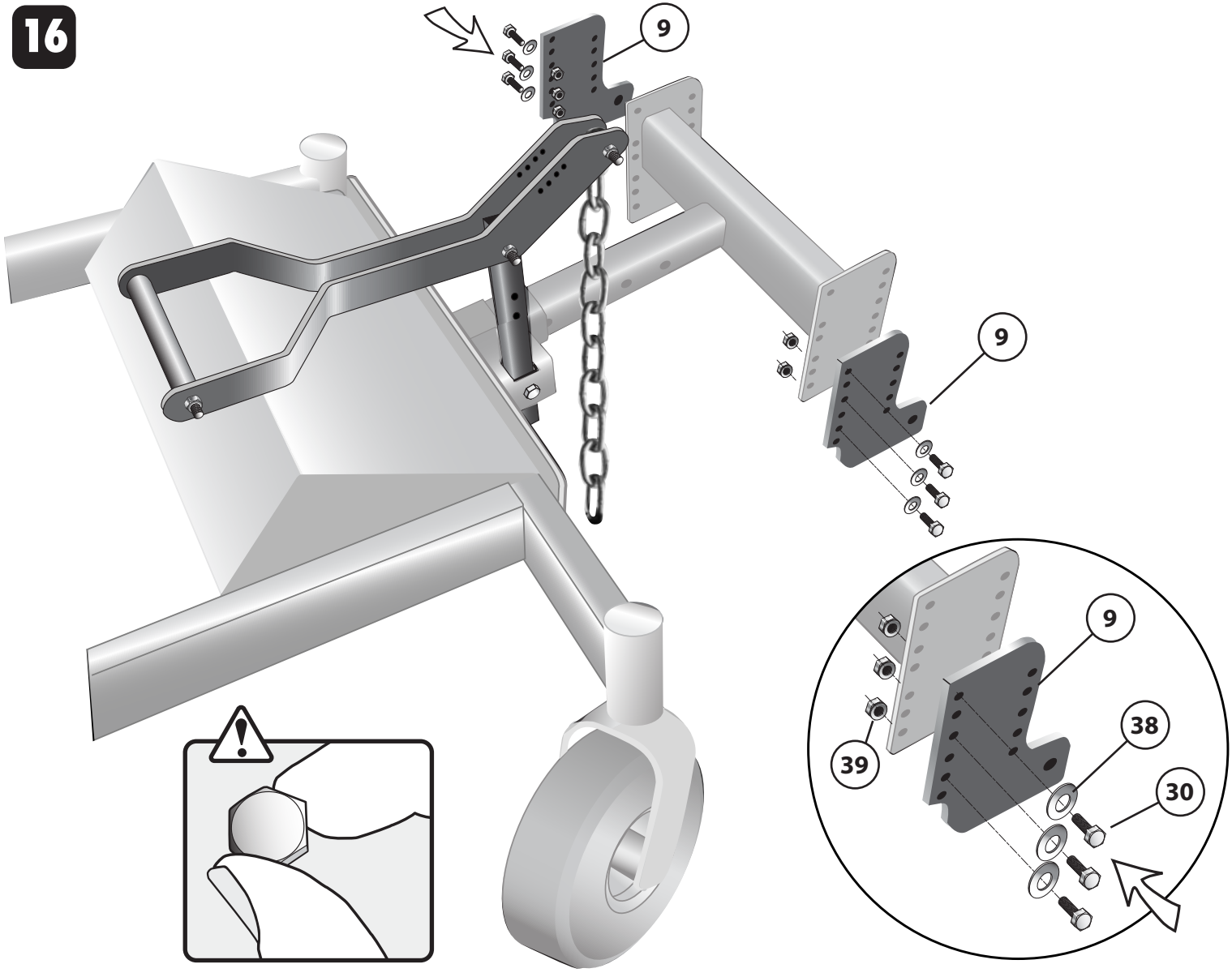


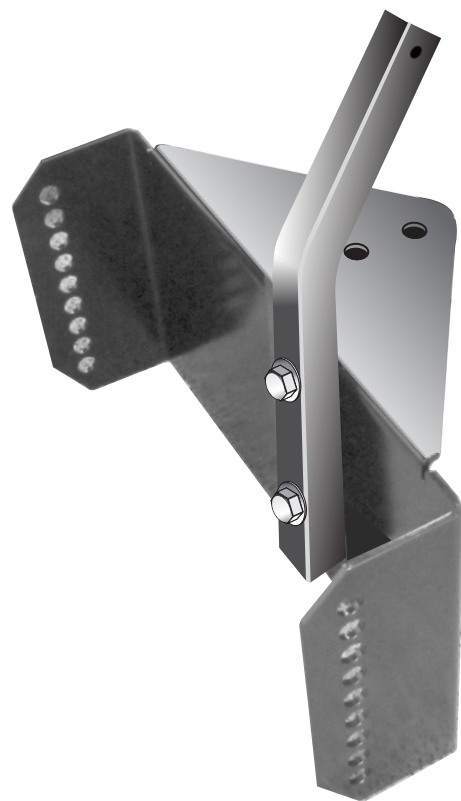
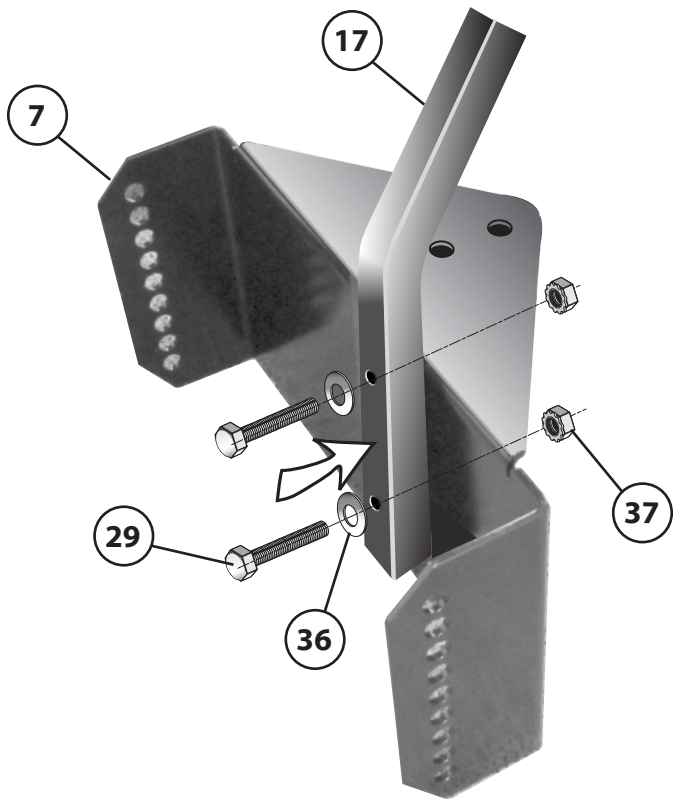


15

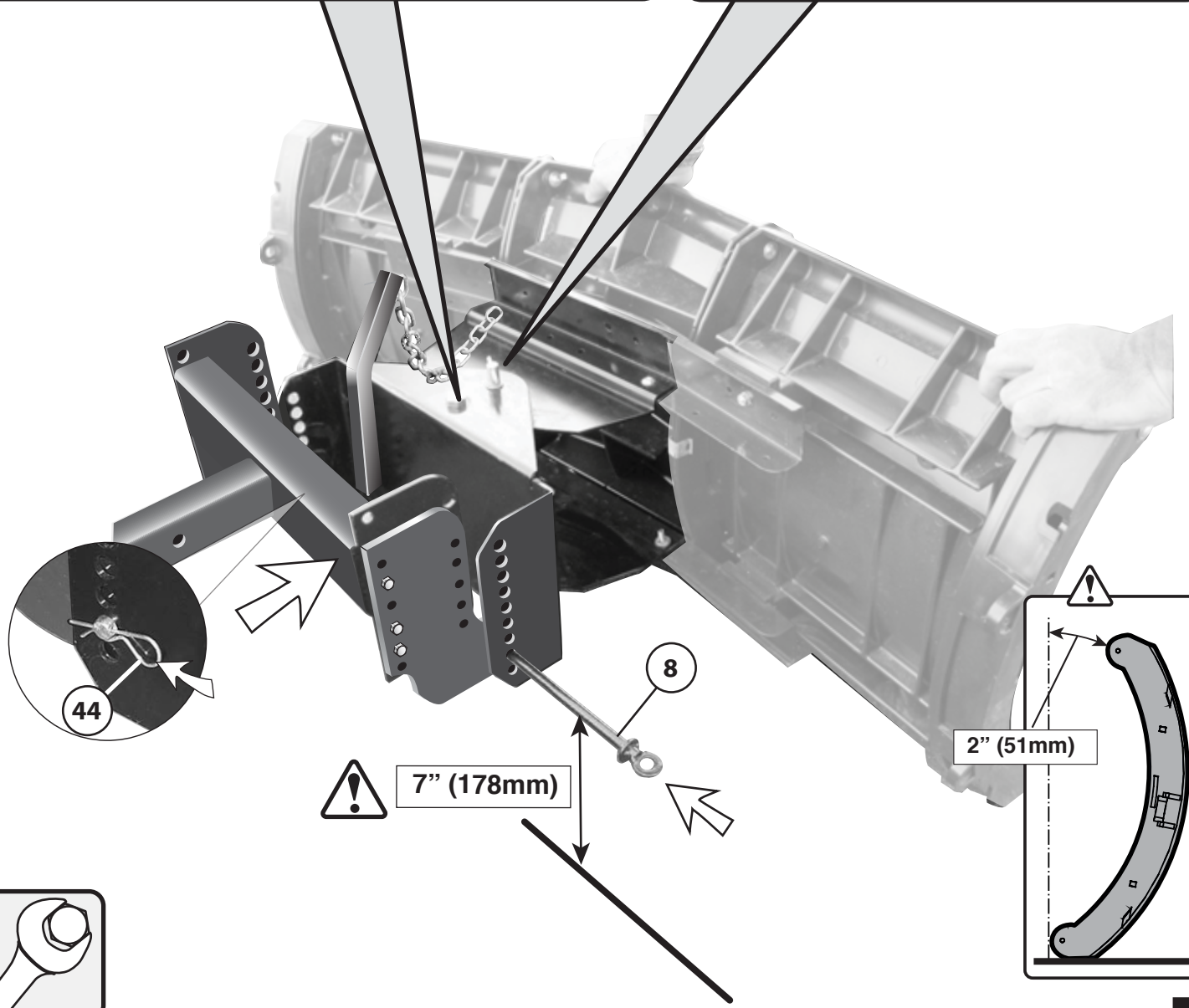
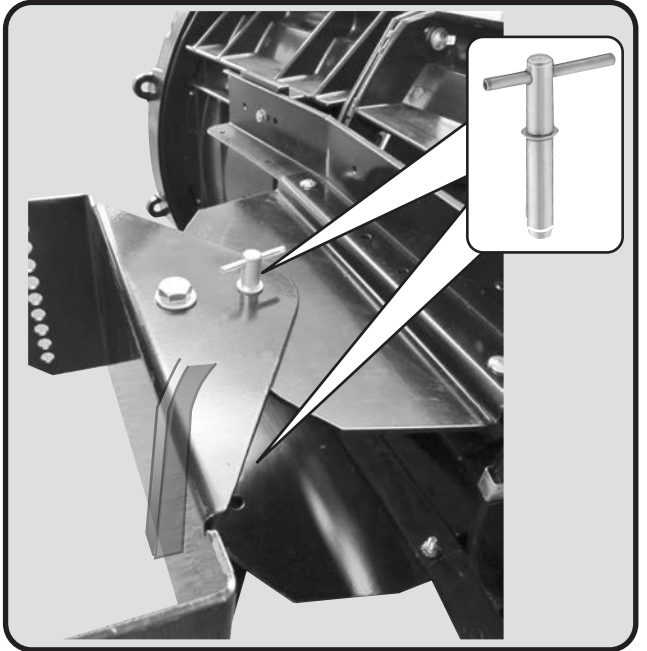
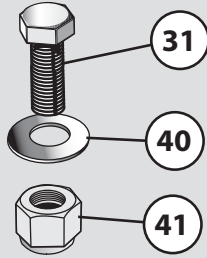
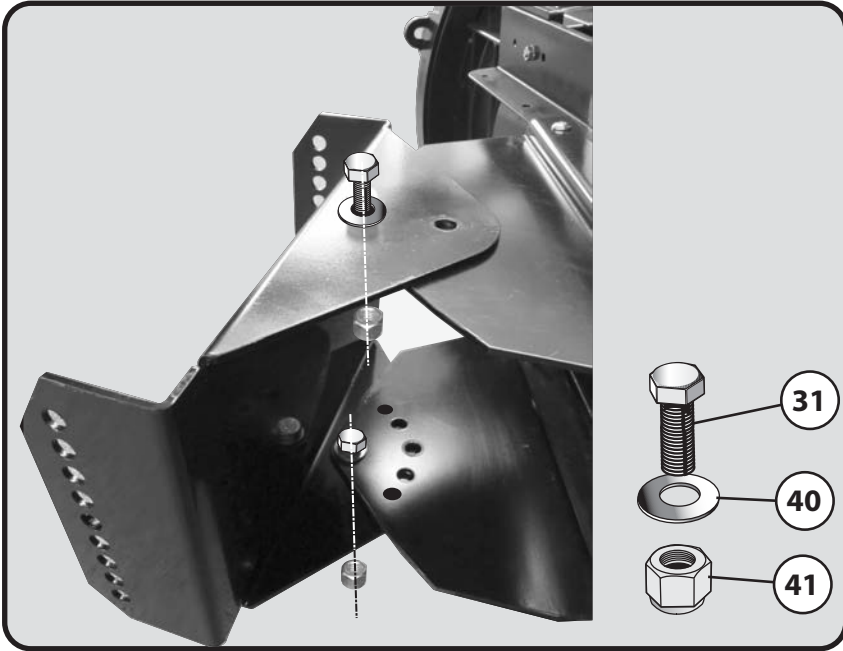


16

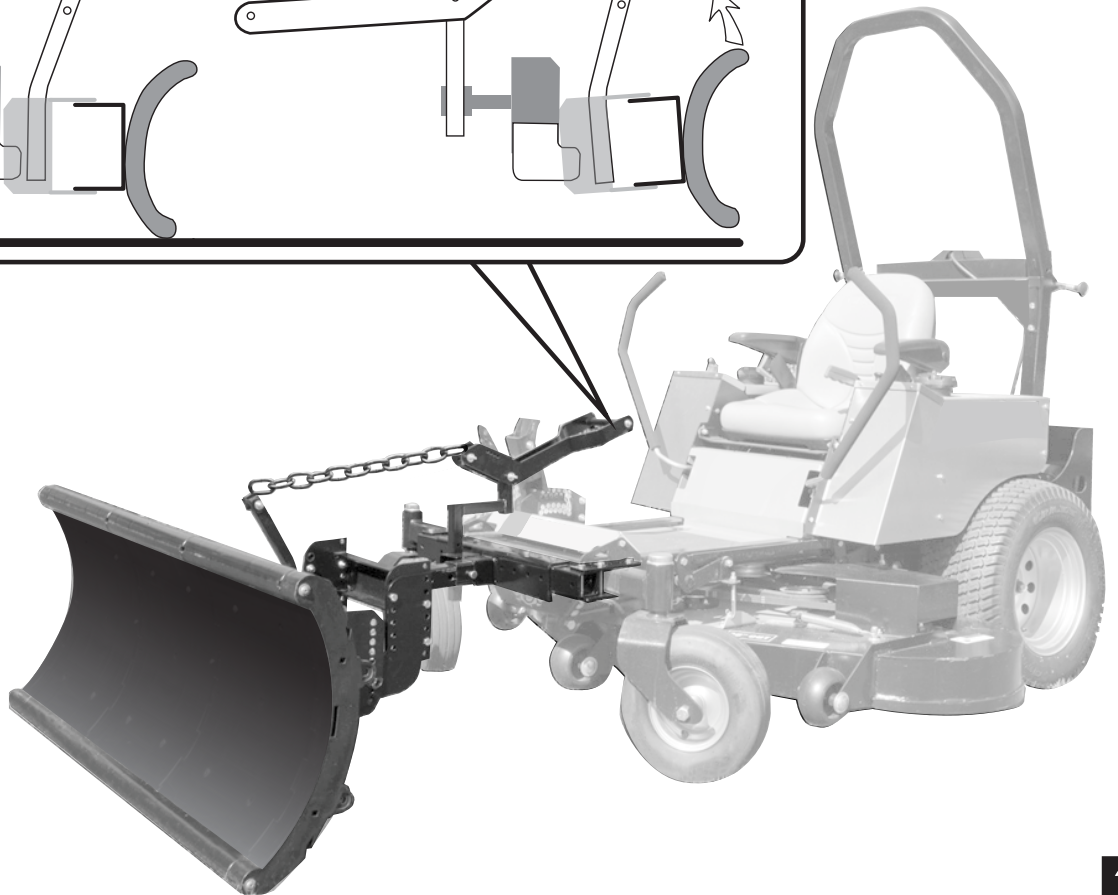
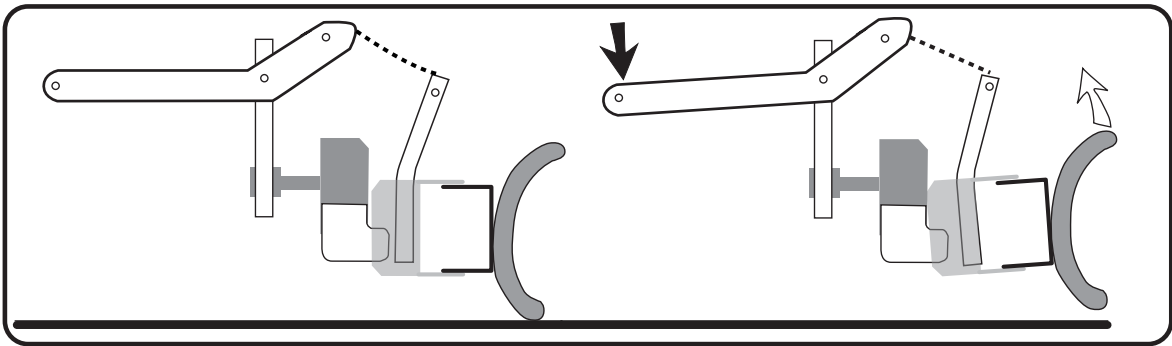
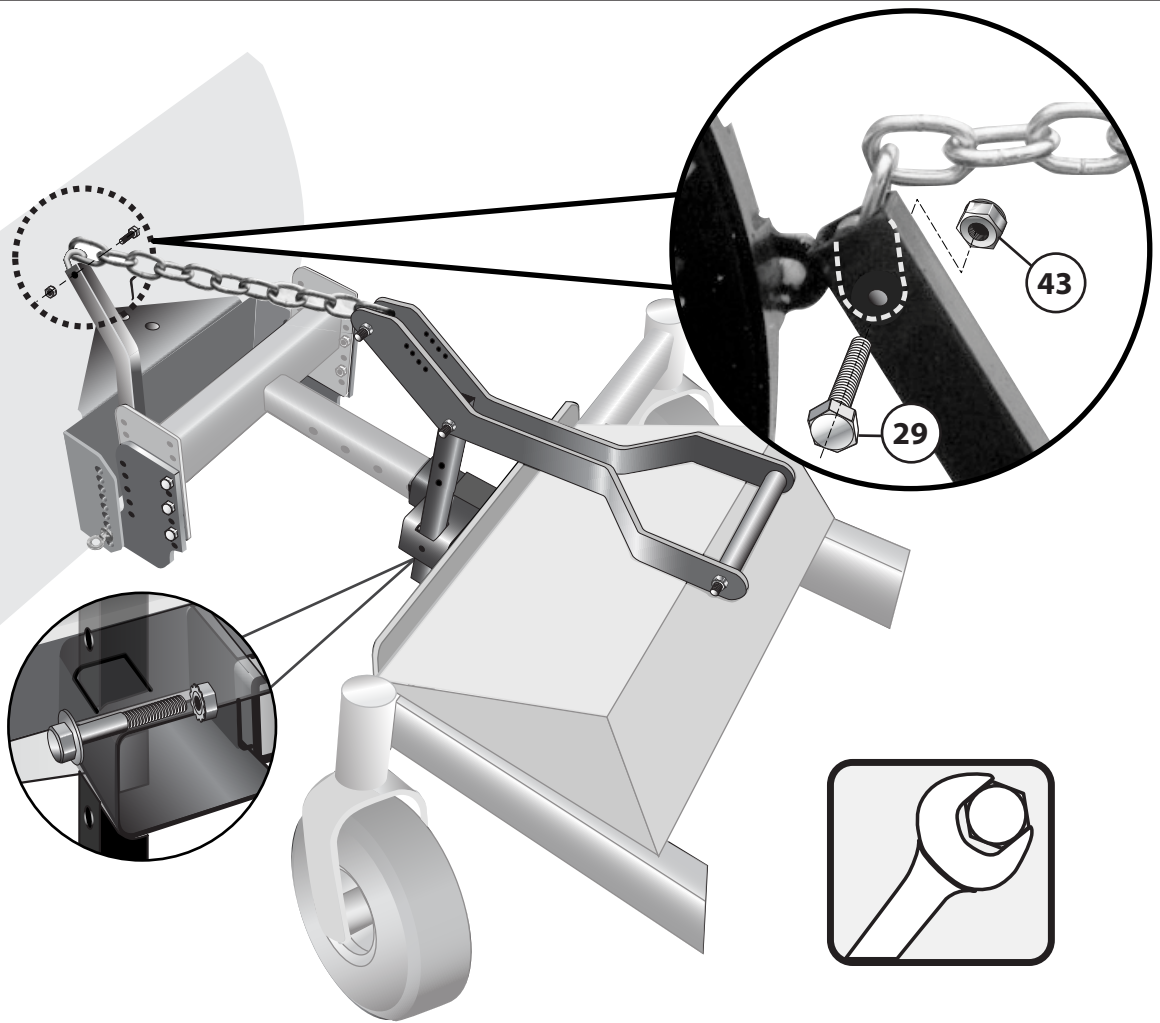




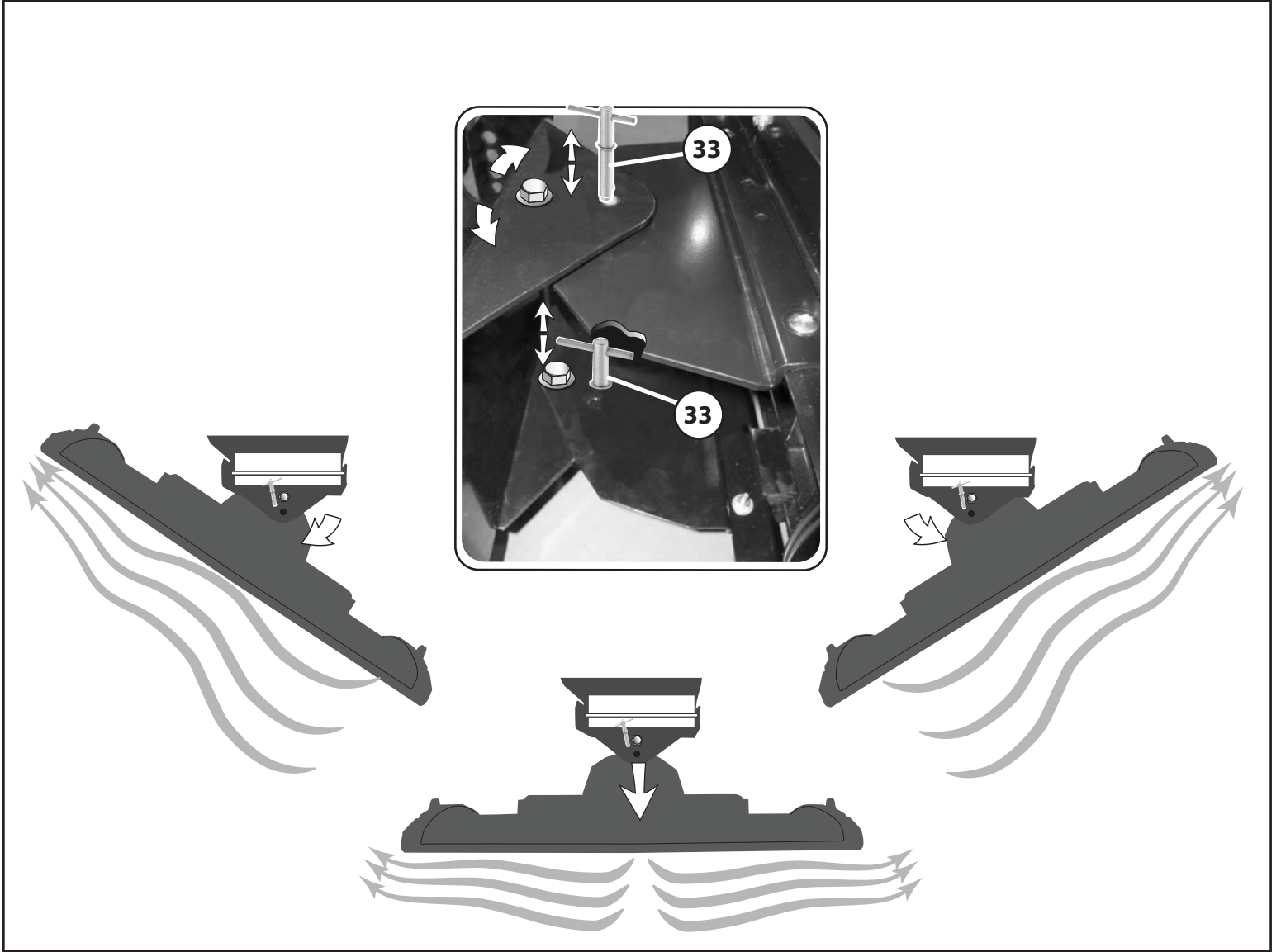
18



19







## ENGLISH

### **Safety:**

Read and understand the plow instruction manual before use.

Scan the QRC instructional videos on the first page or watch the videos on our website before use. (www.nordicplow.com)

Always instruct other users before they use the plow.

### **Operation:**

#### **Risk of Injury**

- Never allow children to handle the plow.
- Never allow anyone to walk beside or sit on the plow when in use.
- **Never operate the plow over 2 to 3 mph. Keep a slow steady speed.**
- If you hit an obstruction, immediately stop the vehicle and reverse direction.
- Keep the strap secured near steering column to keep it clear of front axles.

### **Instruction Clarification:**

**STEP 10-11:** There are several types of Z-Turns—two are shown here. Part#42 may be required depending the size of the frame. Use Part #28 to attach to frame – the longer bolt (Part#27) is optional if needed. This bracket assembly **MUST** be securely tightened to the frame before use.

**STEP 12:** Part #11 is a center support that some models of Z-Turns require. It supports the

open space between our bracket and the frame of the Z-Turn.

**STEP 13:** Part #23 can be placed on either side of the hitch as preferred by operator.

**STEPS 18:** The axle hole used should be 7inch (178mm) from the ground. Use Part #9 if necessary – be sure to bolt as shown to allow for pivot action.

**STEP 19 & 20:** Before you attach Part#7 to the blade, make sure the top pivot plate (Part#4) is on top. Do not over tighten the lock nuts (Part#41) – there should be some wiggle room to allow for easy placement of the T-Handle (Part#33) into the multi-position holes.

**STEP 21:** Loosely assemble parts until the desired height of the foot pedal is achieved. Then tighten, but allow for some movement to the pivot points.

### **FAQ's**

#### **How long will the plow last?**

The lightweight design and rounded edge technology significantly reduces friction and wear of the blade. The bottom edge will show signs of pits and scratches but will not degrade the blade. In addition, each blade is reversible for added longevity.

#### **Where is the cutting edge?**

The Nordic Plow works extremely well without a cutting edge. The Plows angle combined with its weight and that of the machine and operator

provide significant force tight to the ground. This force allows for a clean sweep of snow, slush, mulch, dirt, etc. The plow may not pick up hard, packed down snow or ice.

#### **Can I use it on uneven surfaces or grass?**

Yes – our rounded edge blade can be used on paver bricks, sidewalks, grass, gravel and most uneven surfaces without causing damage to the blade or surface being plowed.

#### **Will the plow leave marks on the pavement?**

The Nordic Plow will not leave marks on your driveway, unlike traditional steel plows that can leave rust and scratches on the pavement.

### **Trouble Shooting & Tips**

#### **Blade is not flush to ground:**

In the angled position, the blade will not be flush to the ground if the top pivot and bottom pivot plates are reversed.

#### **The blade flips forward when plowing:**

Adjust the boots and axle so that the axle is 7" (178mm) from the ground.

#### **T-Handle Hard to Insert:**

The top and bottom pivot bolt must be loosened to allow for some movement in the metal plates.

#### **The blade is heavy to lift with foot pedal during operation:**

After you have pushed the snow or material, reverse the machine briefly to clear the blade of the material before lifting the blade with the foot pedal.